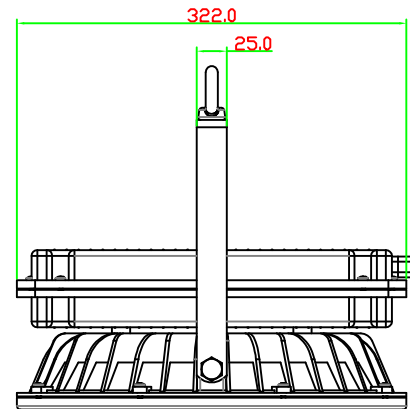
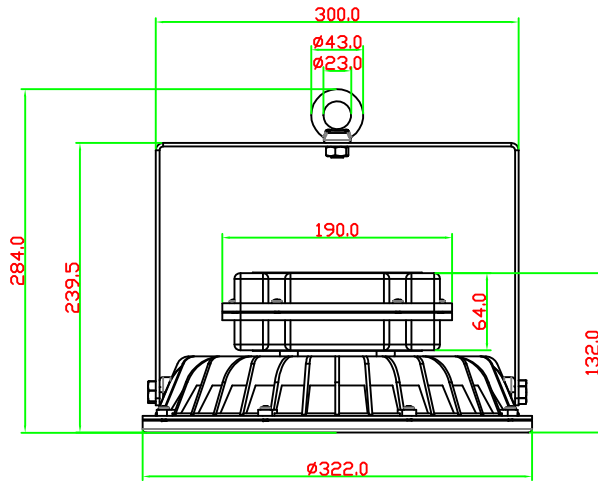


ISOMETRIC VIEW



GA DRAWING

NOTES :---

- 1) ALL DIMENSIONS ARE IN mm.
- 2) ALL CORNER'S ARE FILLETED
- 3) MATERIAL : Aluminium Die casting (LM-6)
- 4) HARDNESS :
- 5) NET WEIGHT : 5.8 kg

MOD. NO.	DETAILS OF MODIFICATION	DATE	CHD.	APPRD.

UNSPECIFIED TOLERANCE IS: 2102				DATE	10/11/2020	 Energy Solutions Pvt. Ltd. I-141, MIDC Ahmednagar.
RANGE	FINE	MEDIUM	COORSE	DRN.	GANESH	
0.5 TO 6	±0.05	±0.1	±0.2	CHD.		
6 TO 30	±0.1	±0.2	±0.5	APRD.		
30 TO 120	±0.15	±0.3	±0.8	SCALE 1 : 1		PART DESCRIPTION :
120 TO 325	±0.2	±0.5	±1.2			MODEL :
325 TO 1000	±0.3	±0.8	±2			Eetamax Avira Bay Light 200W
1000 TO 2000	±0.5	±1.2	±3			