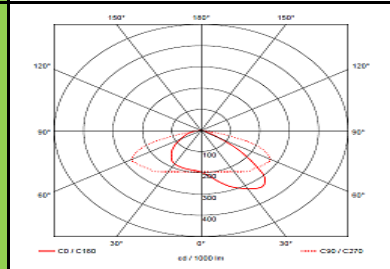
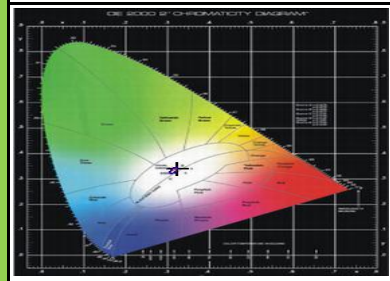
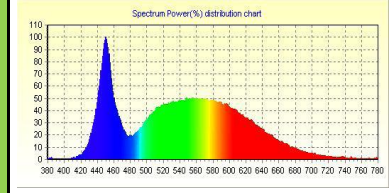
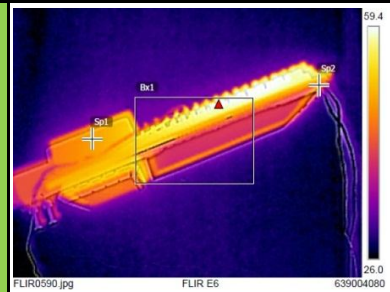
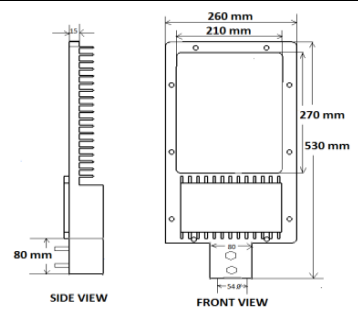


MODEL NAME
EELS 120W ML SL with lens + SPD

Characteristic		Parameters	
MECHANICAL SPECIFICATION	Fixture Housing	Pressure Die Cast Aluminium, with Side Contour, Closed Appearance, Highly Weather Resistance, Powder-coated. Toughened Glass Safety Cover is also provided.	PRODUCT IMAGE
	Fixture Dimension	530 mm X 260 mm	
	Pipe ID	54 mm	
	Diffuser Closure	Toughened Glass	
	Weight	5.270 Kg	
	IP Standard	IP65	
LUMINARIES	Total Wattage	120 Watts	SCHEMATIC IMAGE
	Initial Lumen	14400 Lumen	
	Luminaire Efficacy (Lm/Watt)	120 Lm/W	
	Life	50,000 Burning Hours	
	Starting Time	Rapid (0.2 sec)	
	Operating Temperature	From -20° to +60° C	
LED DRIVER	Type of Driver	Constant Current (CC)	THERMAL IMAGE
	Input Voltage Range	100 VAC ~ 305 VAC	
	Frequency Range	50 Hz	
	Power factor	> 0.98	
	Total Harmonic Distortion	< 10 %	
	Surge Protection	6 Kv	
LED LAMP	Protection	Surge Protection, Output Short Circuit Protection, Over Load Protection, Over Voltage Protection	LED SPECTRUM
	Light Source	SMD LED	
	Lamp Efficacy	> 150 Lm/W	
	Colour Temperature	3000 K - 6500 K	
	CRI	> 70	
	Certification/Report	LM80 / Photo Bio.Test	
OPTICS	Identification Feature	Unique Serial No. Printed on each Lamp	LIGHT DISTRIBUTION
	Beam Angle	95° X 145°	
	Optics Type	PC/PMMA lens	
	MOC of Optics	PC/PMMA	


APPLICATION

The luminaires can be used for lighting of important roadways, secondary roads, roads in industrial & residential areas etc

